

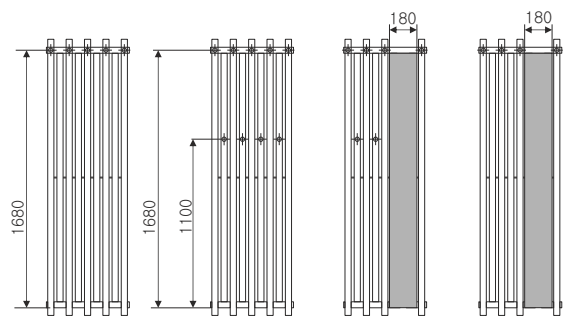
Hangers available in chrome or brass for radiators in Gold Black and Antique Gold.

Handtuchhalter in Chrom oder in Messing bei Heizkörper in Farbe Gold Black und Antique Gold

Patères en couleur chrome ou cuivre jaune pour le radiateur en couleur Gold Black et Antique Gold

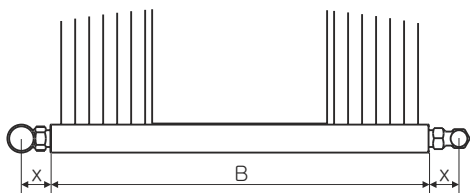
Вешалки цветом хром или латунь для радиатора в цвете Gold Black и Antique Gold

Passo S Passo W Passo L+W Passo L



A	B	C	C'	Δt=50°C	Δt=60°C		D	E	F
[mm]	[mm]	[mm]	[mm]	[W]	[W]	[W]	[mm]	[mm]	[mm]
Passo S – one row of pegs									
1800	540	50	See scheme below	933	1166	–	400	1660	70
1800	780	50		1339	1674	–	640	1660	70
Passo W – 2 rows of pegs									
1800	540	50	See scheme below	933	1166	–	400	1660	70
1800	780	50		1339	1674	–	640	1660	70
Passo L – mirror									
1800	540	50	See scheme below	823	1029	–	400	1660	70
1800	780	50		1046	1308	–	640	1660	70
Passo L+W – mirror and extra pegs									
1800	540	50	See scheme below	823	1029	–	400	1660	70
1800	780	50		1046	1308	–	640	1660	70

Example of use with any valve from Terma Technologie offer



Installation of radiator with horizontal collectors
(thermostatic angled valve and cutoff valve)

$$C=B+2x$$

x – distance from valve axis