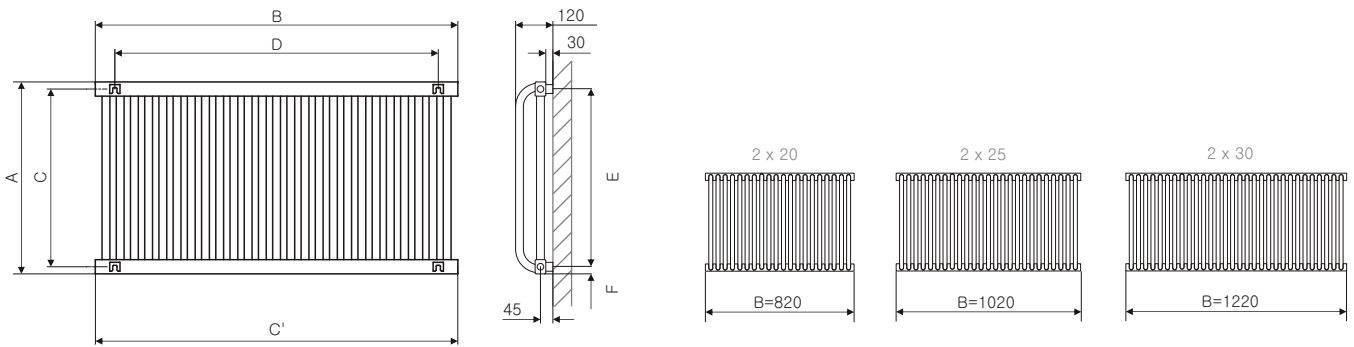
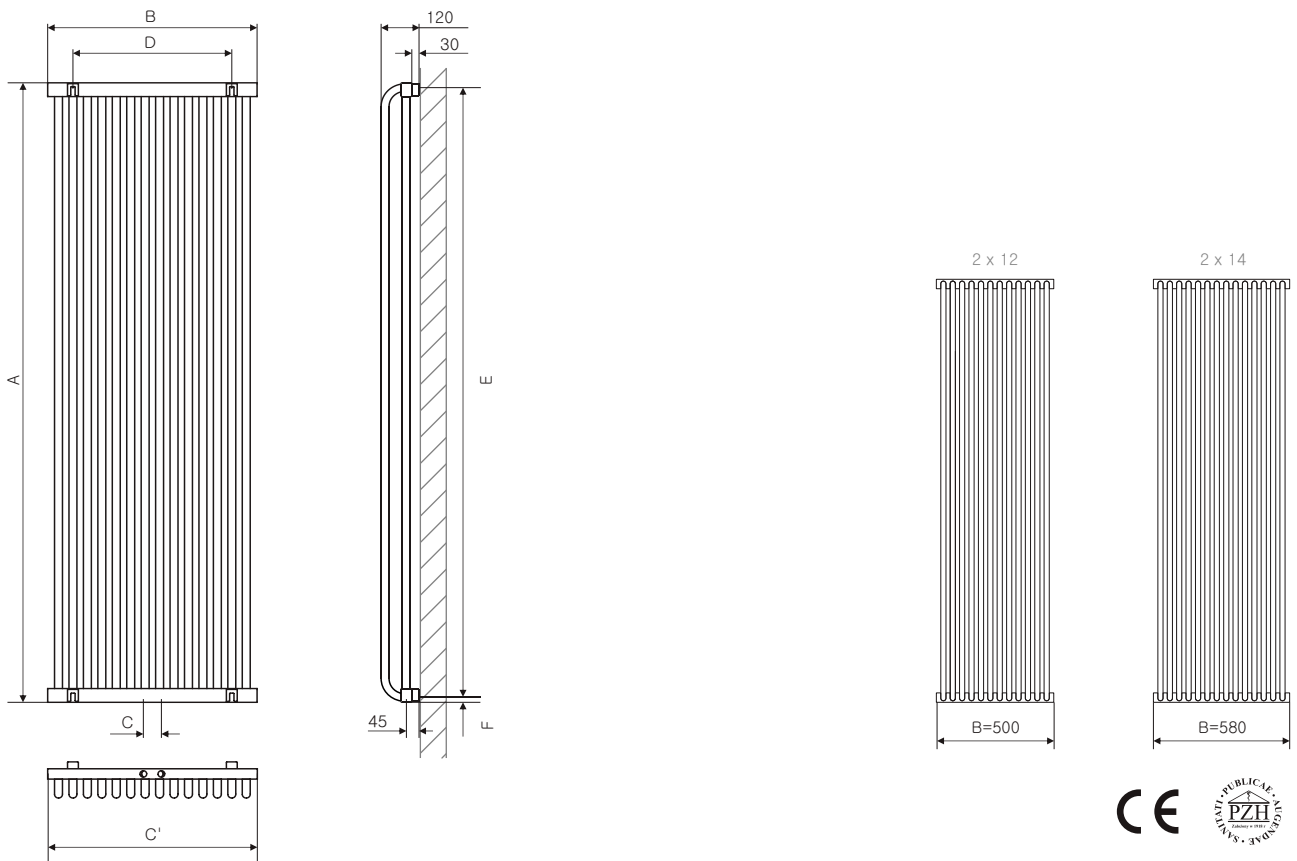


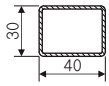


horizontal version



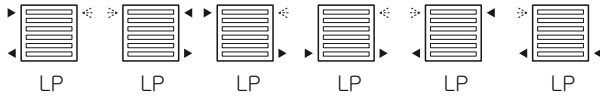
vertical version



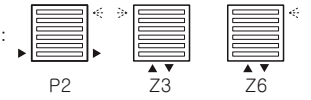


95°C ≤ 0.8 MPa

horizontal version:

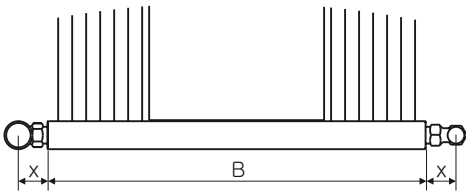


vertical version:



A [mm]	B [mm]	C [mm]	C' [mm]	Δt=50°C [W]	Δt=60°C [W]	[W]	D [mm]	E [mm]	F [mm]
horizontal version									
440	820	-	400	790	988	-	710	400	21
440	1020	-	400	992	1240	-	910	400	21
440	1220	-	400	1189	1486	-	1110	400	21
540	820	-	500	947	1184	-	710	500	21
540	1020	-	500	1183	1479	-	910	500	21
540	1220	-	500	1415	1769	-	1110	500	21
640	820	-	600	1104	1380	-	710	600	21
640	1020	-	600	1381	1726	-	910	600	21
640	1220	-	600	1633	2041	-	1110	600	21
vertical version									
1800	500	50	See scheme below	1702	2128	-	360	1770	16
1800	580	50		1818	2273	-	440	1770	16
2000	500	50		1743	2179	-	360	1970	16
2000	580	50		1987	2484	-	440	1970	16

Example of use with any valve from Terma Technologie offer



Installation of radiator with horizontal collectors  
(thermostatic angled valve and cutoff valve)

$$C=B+2x$$

x - distance from valve axis